

# CURIOSITY AT HOME

## RUBBER BAND BOX GUITAR



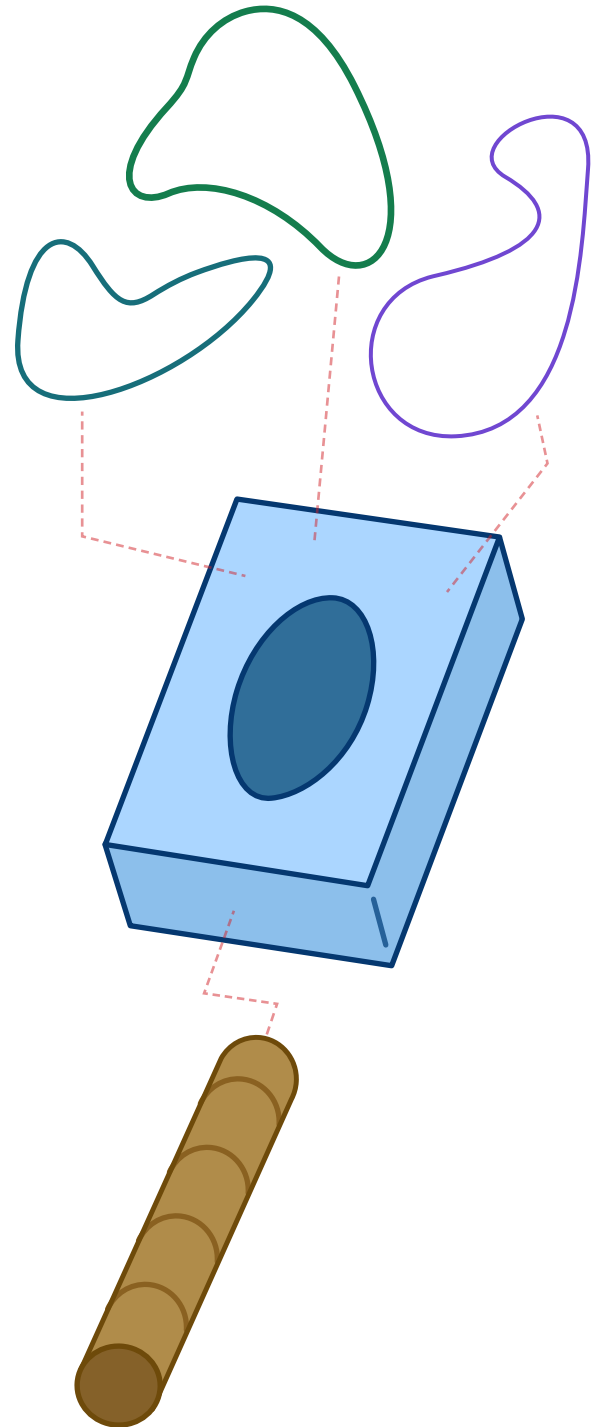
*Playing music is a fun and creative way to express ourselves and important to our overall development. You can make your own rubber band box guitar using just a few common materials.*

### MATERIALS

- Empty rectangular tissue box
- Rubber bands of various thicknesses and lengths
- Tape
- Scissors
- Empty paper towel roll (optional)
- Clean empty food containers, such as coffee containers or soup cans (optional)
- Markers and decorations (optional)

### PROCEDURE

- Remove any plastic left in the tissue box opening.
- Place the rubber bands around the tissue box so that they lay over the opening.
- (Optional to look more like a guitar) Cut one-inch slits around one end of the paper towel roll and fold out. Tape that end to one of the short sides of the tissue box to make a handle.
- (Optional) Use markers and decorations to customize your instrument.
- Strum away!



Show us how you're being curious! Share your results with us.

PACIFIC  
SCIENCE  
CENTER



# CURIOSITY AT HOME

## RUBBER BAND BOX GUITAR



### EXPLORE MORE

Now try some of these variations to your musical instrument:

- Try making guitars with different materials, such as clean plastic food containers, coffee containers or thicker cardboard boxes.
- Try using rubber bands of different lengths and thicknesses.
- Cover the opening of your container. Make the opening smaller or bigger. Put openings in different areas.
- Place a pencil between the rubber bands and the container to form a bridge.
- Twist a toothpick or paperclip around the rubber bands to make them tighter.
- What do you notice about how the sounds change when you use these variations?

### WHAT'S HAPPENING?

Just like a real guitar, the sound is made by the vibration of the rubber band that creates a sound wave. If you simply hold a rubber band between two fingers and strum it, the sound is very soft. Once we put the rubber band around the tissue box, the vibrations create a louder sound as the sound waves resonate, or bounce around, the inside of the box.



Show us how you're being curious! Share your results with us.

PACIFIC  
SCIENCE  
CENTER



# CURIOSITY AT HOME

## RUBBER BAND BOX GUITAR



### K–2 GRADE EXPLORATION

- What differences do you notice when you make changes to your guitar?
- Do some of the changes you make sound better than others?
- Do some of your instruments sound more pleasing than others?
- What are some other string instruments you've seen before? Do you think they work similarly to your rubber band guitar?
- Can you play your instrument quietly? Loudly? Fast? Slow?



Show us how you're being curious! Share your results with us.

PACIFIC  
SCIENCE  
CENTER

